

ZOID BOLLARD

Zoid Bollard fixture has :

- Luminaire housing of Aluminium
- IP66, High Ingress Protection against dust & moisture
- Flicker free operation for eye protection
- Energy-efficient LED with high colour rendering
- The built quality ensures long and maintenance free service life
- Optimum for every outdoor space including society parks, streets, educational institutes, and pathways
- Garden & pathway luminaires create pleasant light distribution with a high degree of visual comfort
- LED bollard, designed to provide radially symmetric light emission of 360°
- Sustainable LED technology offers durability and optimal light output with low power consumption

Quick Info

CRI ≥ 80 /90

2700K, 3000K, 4000K

Up to 80 lm/W

Non-Dimmable/ Dali-Dimmable

SDCM<3

Clear Diffuser

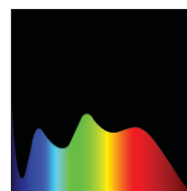
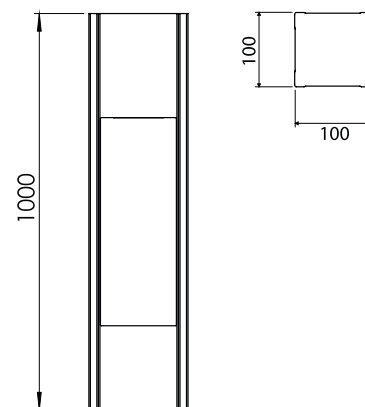
L70 @50,000h

Aluminium Die-Cast

Types

Surface

Single Line Diagram



CRI ≥ 80/90

ZOID BOLLARD



Product Order Code	System Power	Dimensions
1872	10W	LXW=100mmX100mm H=1000mm

Order Options

CCT (Colour Temperature)

- 2700K
- 3000K
- 4000K

CRI

- >80
- >90

Beam Angle

N.A

Control

Non-Dimmable



Dali-Dimmable



Mounting Type

Surface

Material Colour

Grey

